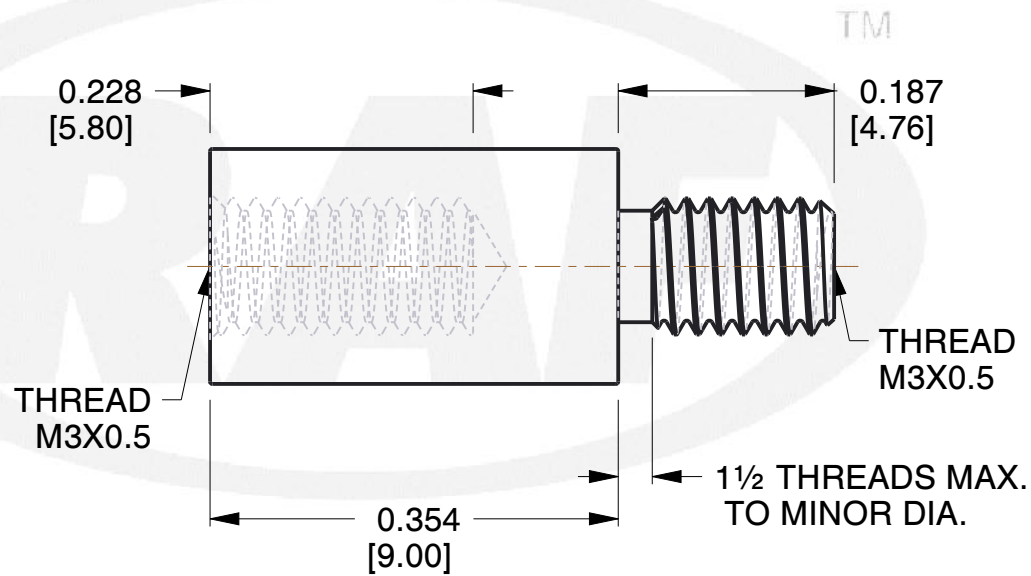
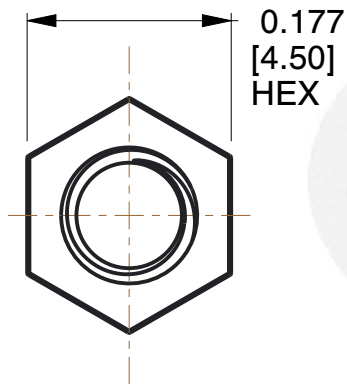
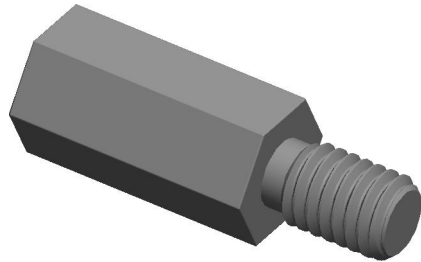


REV	CHANGE	DATE	DRN	CHK
	Drawn	02/08/17	SJ	T



**NOTES:**

1. Material : Nylon
2. Finish :
3. ASME Y14.5M - 2009
4. All Drawing Dimensions are in Inches [mm]
5. Unless otherwise specified; Edge Breaks, Radii or Countersinks 0.005-0.015



95 Silvermine Rd., Seymour CT 06483  
Tel: 203-888-2133, Fax: 203-888-9860

This Drawing is the Property of RAF.  
It contains confidential, proprietary information that is RAF property. Do not disclose to or duplicate for others except as authorized by RAF.

**TOLERANCES**  
ALL DIMENSIONS ARE INCHES (UNLESS OTHERWISE SPECIFIED)  
**METALLIC**  
LENGTHS <math>< /math>: 6 INCHES  $\pm$  0.005  
LENGTH >: 6 INCHES  $\pm$  0.010  
DIAMETERS:  $\pm$  0.005  
**NON-METALLIC**  
LENGTH:  $\pm$  0.010 DIAMETERS:  $\pm$  0.010  
**INTERNAL THREADS:**  
MINIMUM THREAD DEPTH

COMPONENT	STANDOFFS
M2104-3005-N	<b>SCALE</b> 6.00
4.5 MM HEX MALE-FEMALE STANDOFFS	<b>SHEET</b> 1 of 1