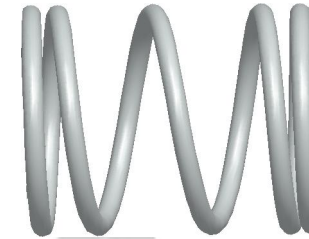
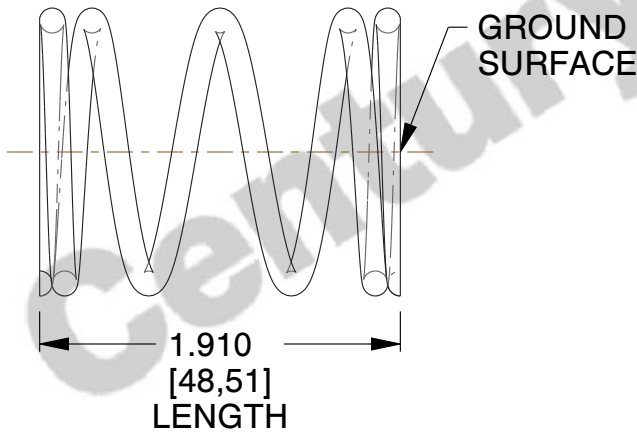


NOTES:

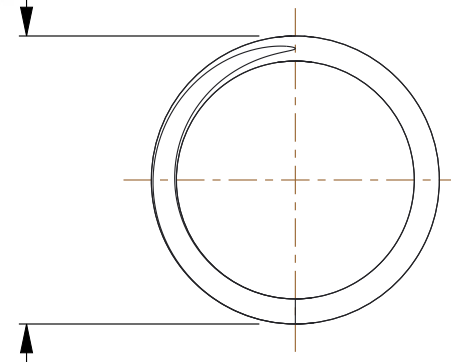
1. Material : Stainless Steel
2. Finish : Glod Irridite
3. Ends : Closed and Ground
4. Total Coils : 5.000
5. Sugg. Max. Deflection : 0.670 (in)
6. Sugg. Max. Load : 22.000 (lbs)
7. All Drawing Dimensions are in Inches [mm]



∅ 0.091
[2,31]
WIRE DIA



∅ 1.046
[26,57]
O.D



COMPONENT		SPRINGS	
S-1444		UNIT	
		INCH [mm]	
		SHEET	
COMPRESSION SPRINGS		1 of 1	