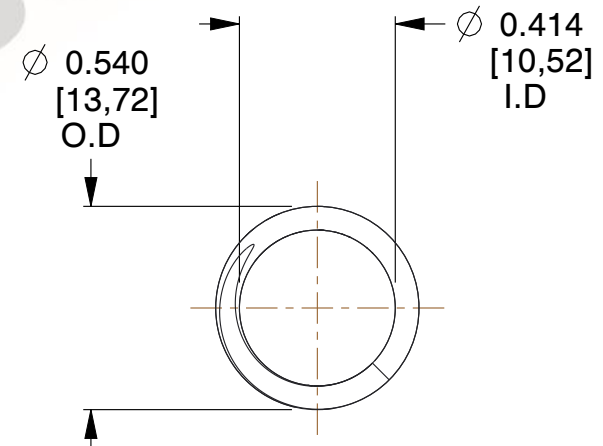
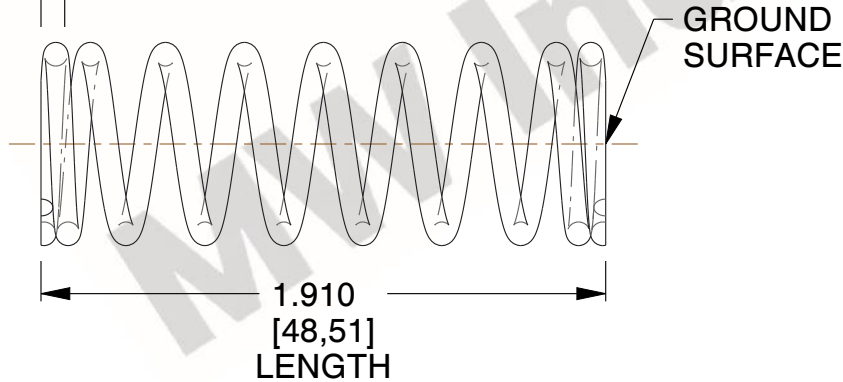


**NOTES:**

1. Material : Stainless Steel
2. Finish : Glod Irridite
3. Ends : Closed and Ground
4. Total Coils : 9.250
5. Sugg. Max. Deflection : 0.630 (in)
6. Sugg. Max. Load : 15.000 (lbs)
7. All Drawing Dimensions are in Inches [mm]



$\varnothing$  0.063  
 [1,60]  
 WIRE DIA



COMPONENT		SPRINGS	
<b>71691S</b>  COMPRESSION SPRINGS		UNIT	INCH [mm]
		SHEET	1 of 1