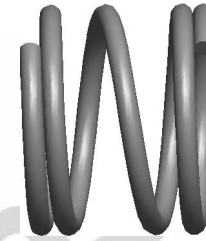
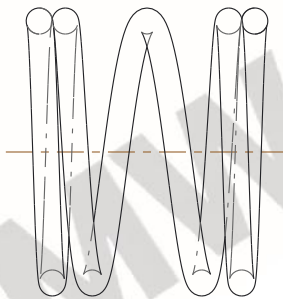


NOTES:

1. Material : Spring Steel
2. Finish : Zinc - Z
3. Ends : Closed
4. Total Coils : 4.000
5. Sugg. Max. Deflection : 0.170 (in)
6. Sugg. Max. Load : 4.900 (lbs)
7. All Drawing Dimensions are in Inches [mm]

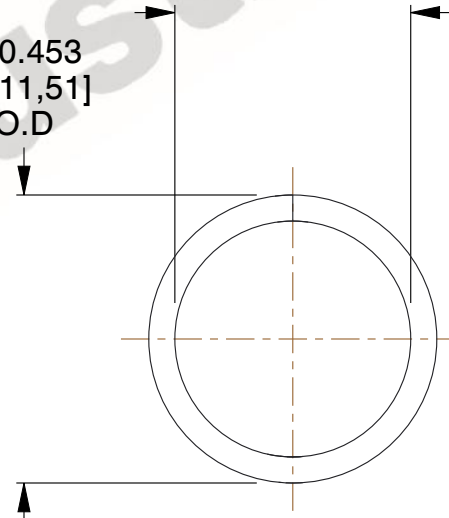


∅ 0.041
[1,04]
WIRE DIA



1.910
[48,51]
LENGTH

∅ 0.453
[11,51]
O.D



∅ 0.371
[9,42]
I.D

COMPONENT		SPRINGS	
10036 COMPRESSION SPRINGS		UNIT	INCH [mm]
		SHEET	1 of 1