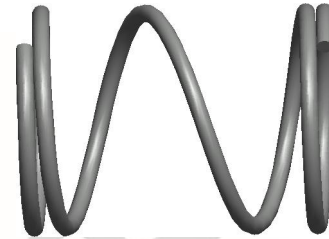
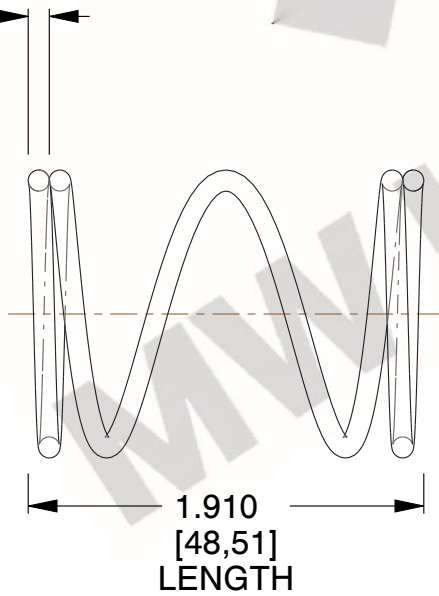


NOTES:

1. Material : Spring Steel
2. Finish : Glod Irridite
3. Ends : Closed
4. Total Coils : 4.000
5. Sugg. Max. Deflection : 0.320 (in)
6. Sugg. Max. Load : 4.600 (lbs)
7. All Drawing Dimensions are in Inches [mm]

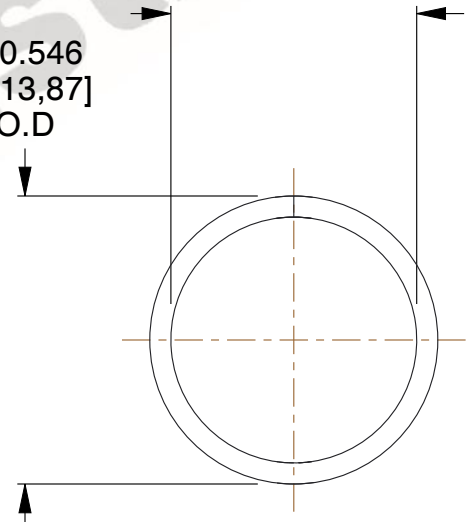


∅ 0.040
[1,02]
WIRE DIA



∅ 0.546
[13,87]
O.D

∅ 0.466
[11,84]
I.D



| COMPONENT | | SPRINGS | |
|---------------------|--|-----------|--|
| JJ-93 | | UNIT | |
| | | INCH [mm] | |
| | | SHEET | |
| COMPRESSION SPRINGS | | 1 of 1 | |