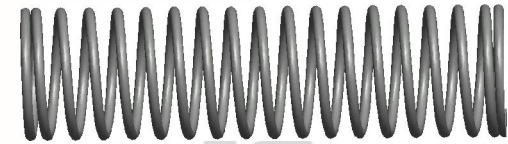
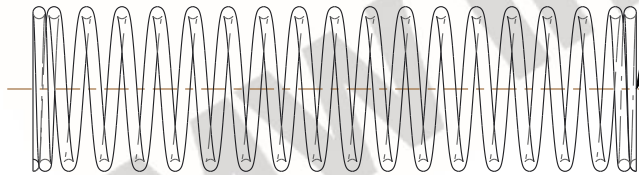


NOTES:

1. Material : Spring Steel
2. Finish : Glod Irridite
3. Ends : Closed and Ground
4. Total Coils : 19.000
5. Sugg. Max. Deflection : 1.200 (in)
6. Sugg. Max. Load : 2.100 (lbs)
7. All Drawing Dimensions are in Inches [mm]

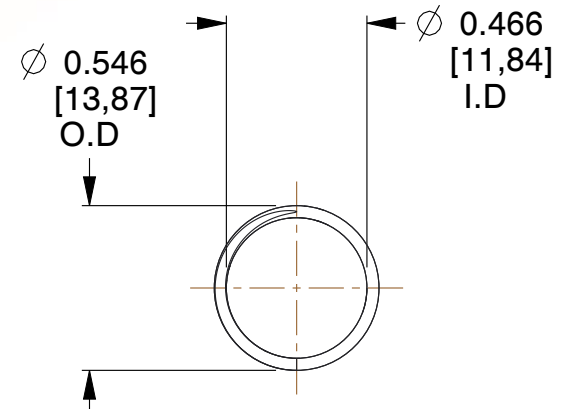


\varnothing 0.040
 [1,02]
 WIRE DIA



GROUND SURFACE

1.910
 [48,51]
 LENGTH



COMPONENT		SPRINGS	
Q-44 COMPRESSION SPRINGS		UNIT	INCH [mm]
		SHEET	1 of 1