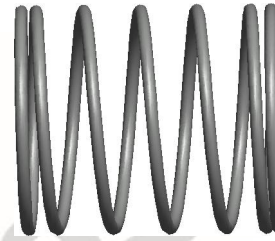
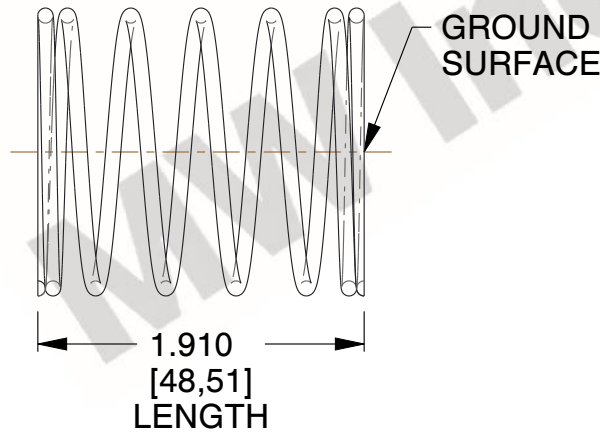


**NOTES:**

1. Material : Spring Steel
2. Finish : Glod Irridite
3. Ends : Closed and Ground
4. Total Coils : 7.000
5. Sugg. Max. Deflection : 0.460 (in)
6. Sugg. Max. Load : 0.730 (lbs)
7. All Drawing Dimensions are in Inches [mm]

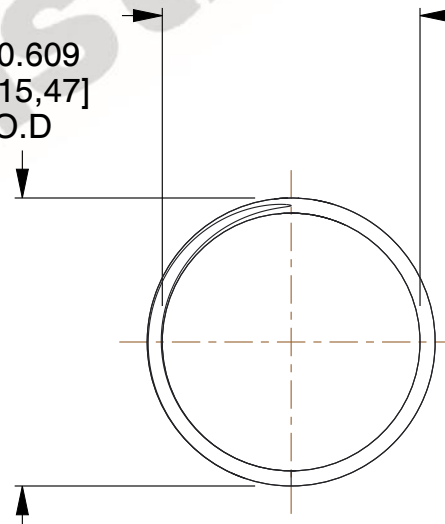


$\varnothing$  0.032  
 [0,81]  
 WIRE DIA



$\varnothing$  0.609  
 [15,47]  
 O.D

$\varnothing$  0.545  
 [13,84]  
 I.D



COMPONENT		SPRINGS	
<b>BB-98</b>  COMPRESSION SPRINGS		UNIT	INCH [mm]
		SHEET	1 of 1