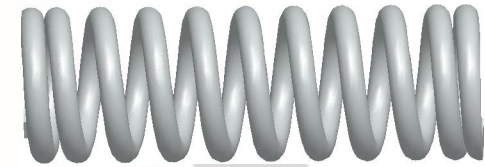
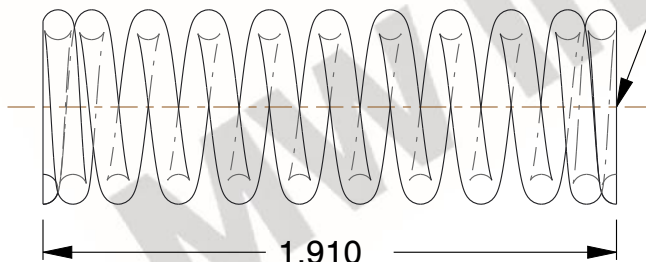


NOTES:

1. Material : Stainless Steel
2. Finish : Glod Irridite
3. Ends : Closed and Ground
4. Total Coils : 11.000
5. Sugg. Max. Deflection : 0.410 (in)
6. Sugg. Max. Load : 25.000 (lbs)
7. All Drawing Dimensions are in Inches [mm]

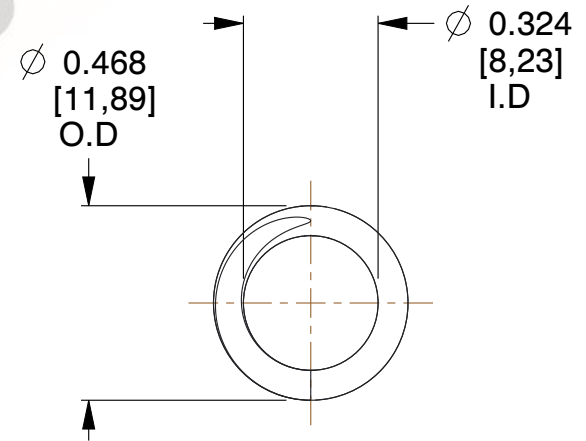


\varnothing 0.072
 [1,83]
 WIRE DIA



1.910
 [48,51]
 LENGTH

GROUND SURFACE



\varnothing 0.468
 [11,89]
 O.D

\varnothing 0.324
 [8,23]
 I.D

COMPONENT		SPRINGS	
S-3063 COMPRESSION SPRINGS		UNIT	
		INCH [mm]	
		SHEET	
		1 of 1	