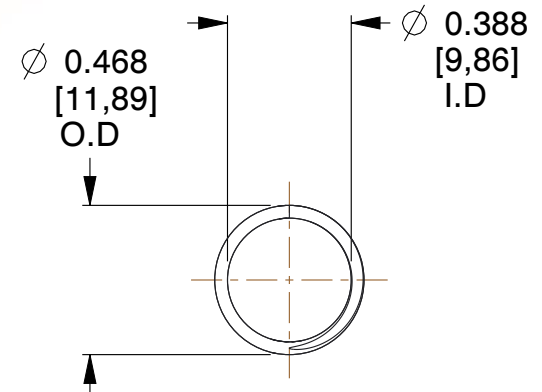
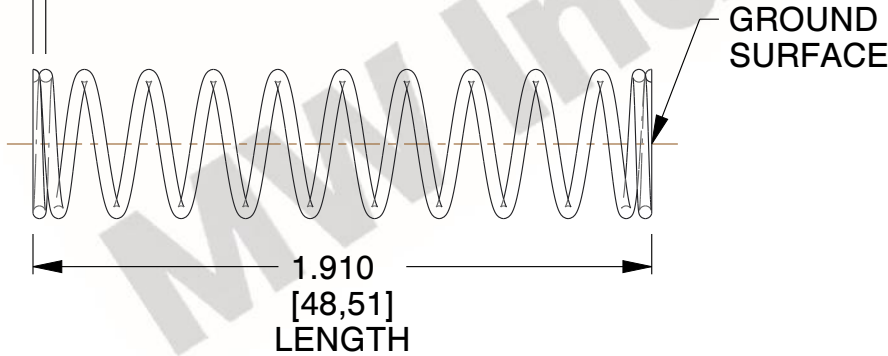


NOTES:

1. Material : Spring Steel
2. Finish : Zinc - Z
3. Ends : Closed and Ground
4. Total Coils : 12.000
5. Sugg. Max. Deflection : 1.100 (in)
6. Sugg. Max. Load : 5.300 (lbs)
7. All Drawing Dimensions are in Inches [mm]



\varnothing 0.040
 [1,02]
 WIRE DIA



COMPONENT		SPRINGS	
3714 COMPRESSION SPRINGS		UNIT	INCH [mm]
		SHEET	1 of 1