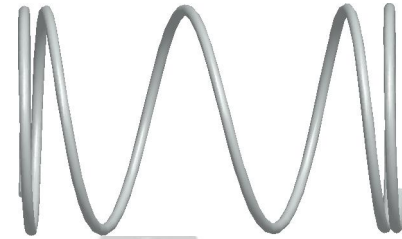
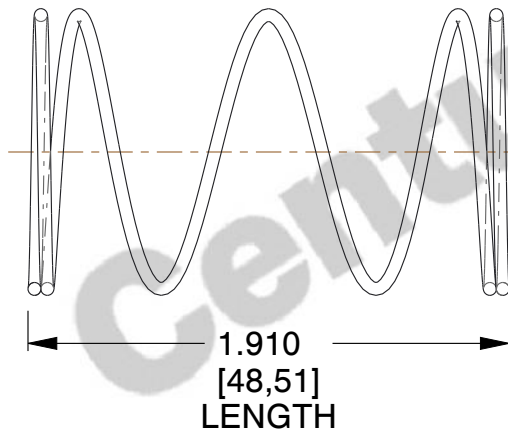


**NOTES:**

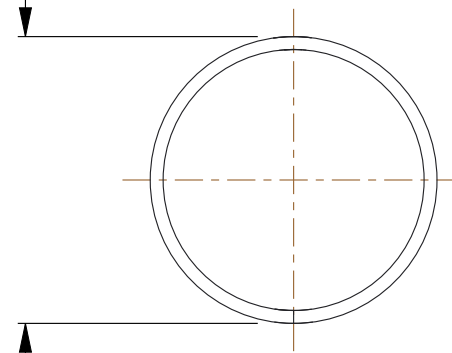
1. Material : Stainless Steel
2. Finish : Glod Irridite
3. Ends : Closed
4. Total Coils : 5.000
5. Sugg. Max. Deflection : 0.810 (in)
6. Sugg. Max. Load : 0.940 (lbs)
7. All Drawing Dimensions are in Inches [mm]



∅ 0.026  
[0,66]  
WIRE DIA



∅ 0.578  
[14,68]  
O.D



COMPONENT		SPRINGS	
<b>10929</b>  COMPRESSION SPRINGS		UNIT	INCH [mm]
		SHEET	1 of 1