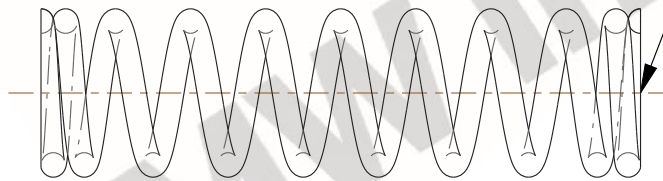


**NOTES:**

1. Material : Music Wire
2. Finish : Zinc - Z
3. Ends : Closed and Ground
4. Total Coils : 10.000
5. Sugg. Max. Deflection : 0.350 (in)
6. Sugg. Max. Load : 13.000 (lbs)
7. All Drawing Dimensions are in Inches [mm]

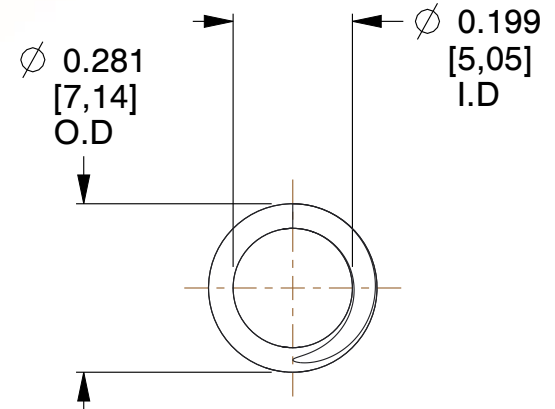


$\varnothing$  0.041  
 [1,04]  
 WIRE DIA



1.910  
 [48,51]  
 LENGTH

GROUND SURFACE



$\varnothing$  0.281  
 [7,14]  
 O.D

$\varnothing$  0.199  
 [5,05]  
 I.D

COMPONENT		SPRINGS	
<b>3649</b>  COMPRESSION SPRINGS		UNIT	INCH [mm]
		SHEET	1 of 1