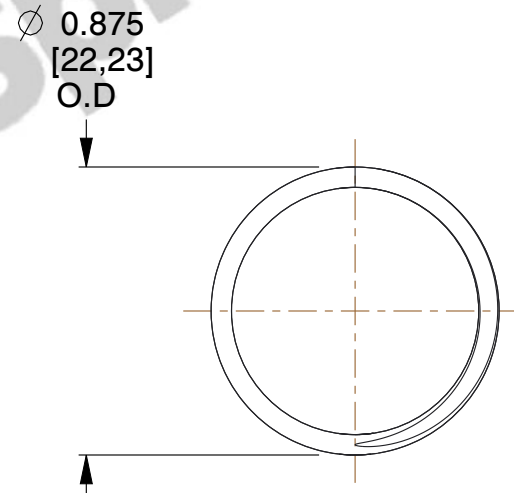
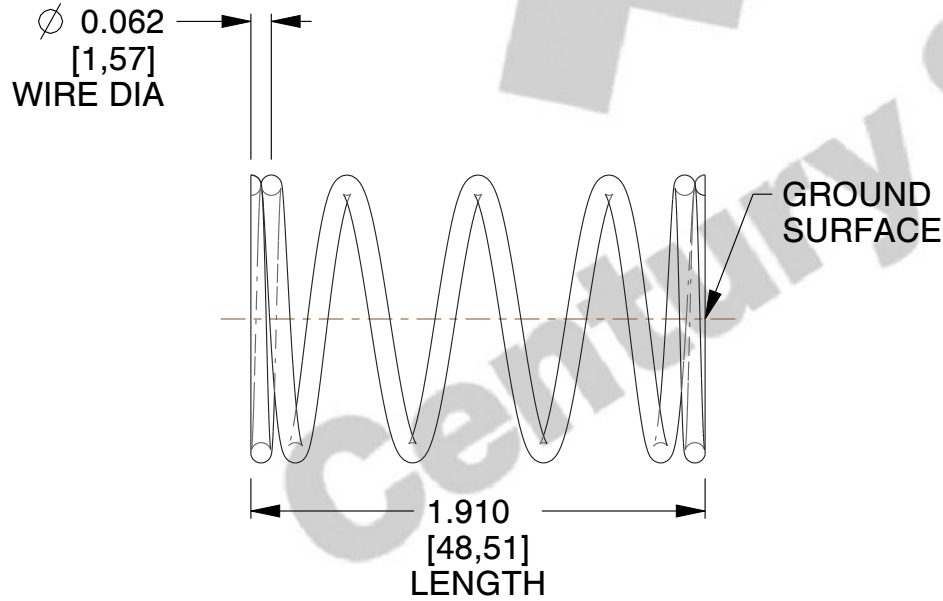
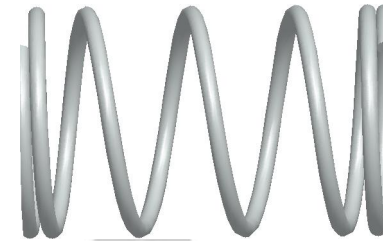


**NOTES:**

1. Material : Stainless Steel
2. Finish : Glod Irridite
3. Ends : Closed and Ground
4. Total Coils : 6.000
5. Sugg. Max. Deflection : 1.000 (in)
6. Sugg. Max. Load : 8.600 (lbs)
7. All Drawing Dimensions are in Inches [mm]



COMPONENT		SPRINGS	
S-1446		UNIT	
		INCH [mm]	
		SHEET	
COMPRESSION SPRINGS		1 of 1	