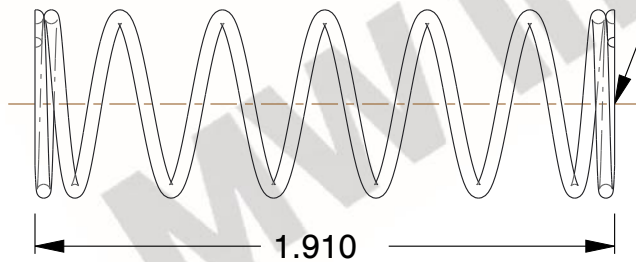


**NOTES:**

1. Material : Music Wire
2. Finish : Glod Irridite
3. Ends : Closed and Ground
4. Total Coils : 8.250
5. Sugg. Max. Deflection : 2.200 (in)
6. Sugg. Max. Load : 18.000 (lbs)
7. All Drawing Dimensions are in Inches [mm]

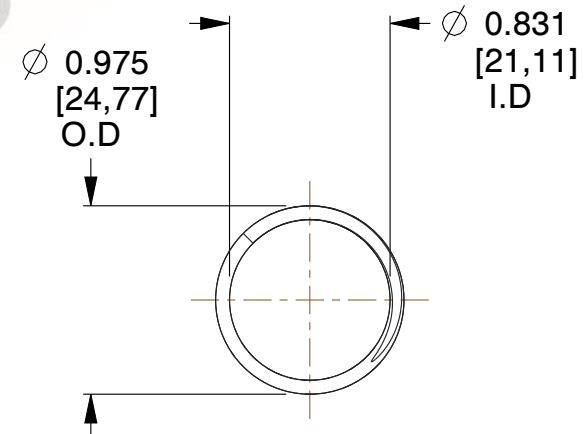


∅ 0.072  
[1,83]  
WIRE DIA



1.910  
[48,51]  
LENGTH

GROUND  
SURFACE



∅ 0.975  
[24,77]  
O.D

∅ 0.831  
[21,11]  
I.D

COMPONENT		SPRINGS	
<b>72348</b>  COMPRESSION SPRINGS		UNIT	
		INCH [mm]	
		SHEET	
		1 of 1	