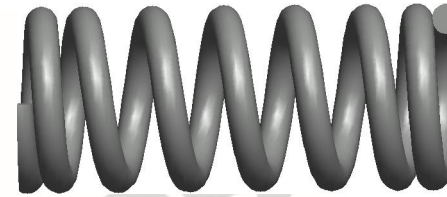
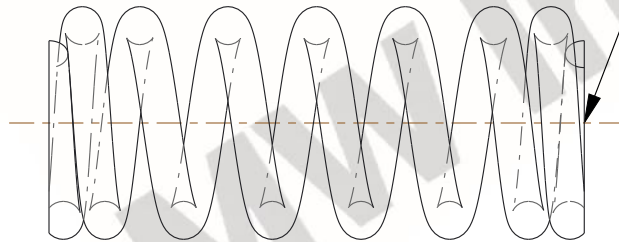


**NOTES:**

1. Material : Music Wire
2. Finish : Glod Irridite
3. Ends : Closed and Ground
4. Total Coils : 7.750
5. Sugg. Max. Deflection : 0.220 (in)
6. Sugg. Max. Load : 20.000 (lbs)
7. All Drawing Dimensions are in Inches [mm]



$\phi$  0.049  
 [1,24]  
 WIRE DIA

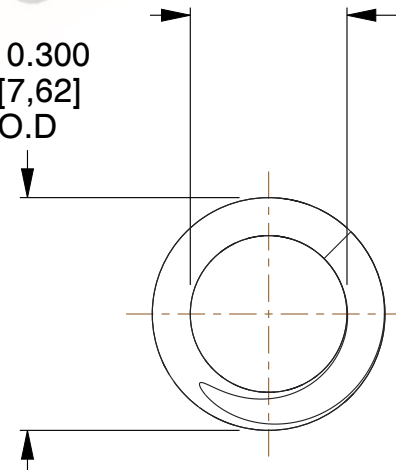


GROUND SURFACE

1.910  
 [48,51]  
 LENGTH

$\phi$  0.300  
 [7,62]  
 O.D

$\phi$  0.202  
 [5,13]  
 I.D



COMPONENT		SPRINGS	
70989		UNIT	
		INCH [mm]	
		SHEET	
COMPRESSION SPRINGS		1 of 1	