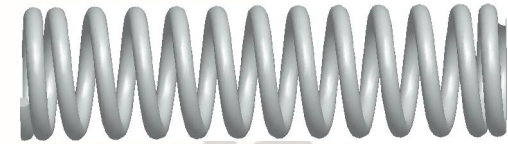
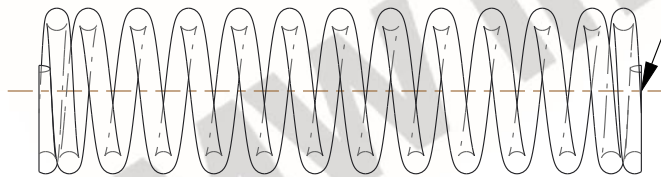


NOTES:

1. Material : Stainless Steel
2. Finish : Glod Irridite
3. Ends : Closed and Ground
4. Total Coils : 13.600
5. Sugg. Max. Deflection : 1.400 (in)
6. Sugg. Max. Load : 80.000 (lbs)
7. All Drawing Dimensions are in Inches [mm]

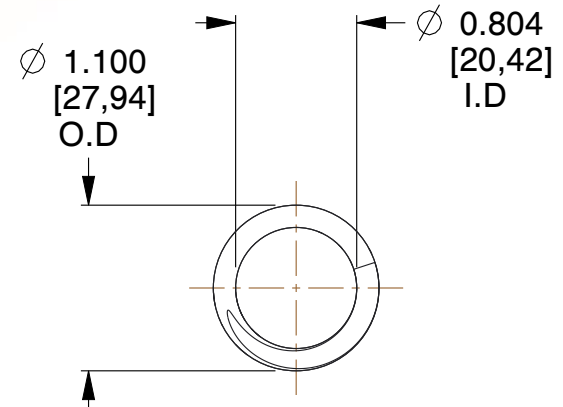


\varnothing 0.148
 [3,76]
 WIRE DIA



GROUND SURFACE

1.910
 [48,51]
 LENGTH



\varnothing 1.100
 [27,94]
 O.D

\varnothing 0.804
 [20,42]
 I.D

COMPONENT		SPRINGS	
72624S		UNIT	
		INCH [mm]	
		SHEET	
COMPRESSION SPRINGS		1 of 1	