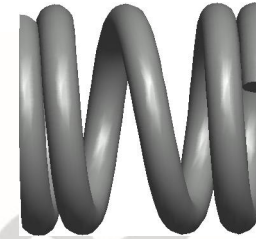
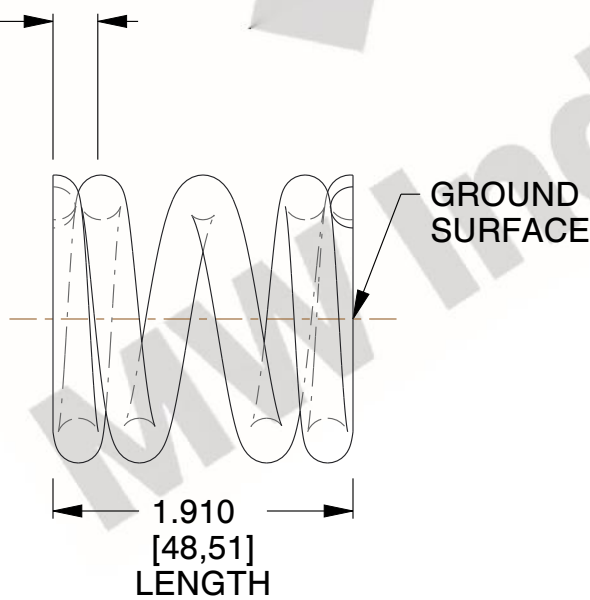


NOTES:

1. Material : Music Wire
2. Finish : Glod Irridite
3. Ends : Closed and Ground
4. Total Coils : 4.130
5. Sugg. Max. Deflection : 0.180 (in)
6. Sugg. Max. Load : 83.000 (lbs)
7. All Drawing Dimensions are in Inches [mm]

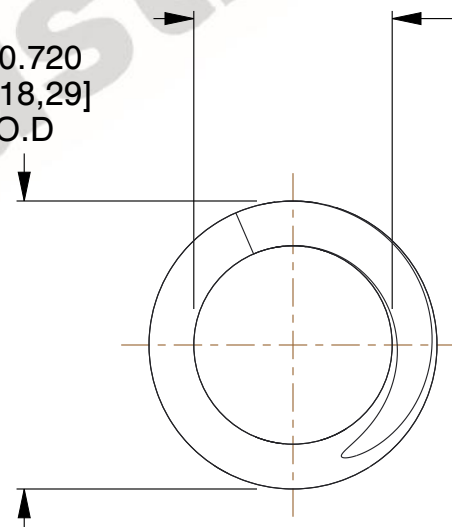


∅ 0.112
[2,84]
WIRE DIA



∅ 0.720
[18,29]
O.D

∅ 0.496
[12,60]
I.D



COMPONENT		SPRINGS	
72123 COMPRESSION SPRINGS		UNIT	INCH [mm]
		SHEET	1 of 1