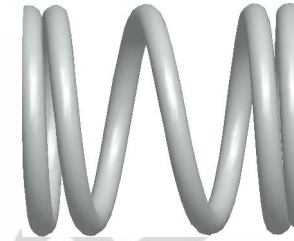
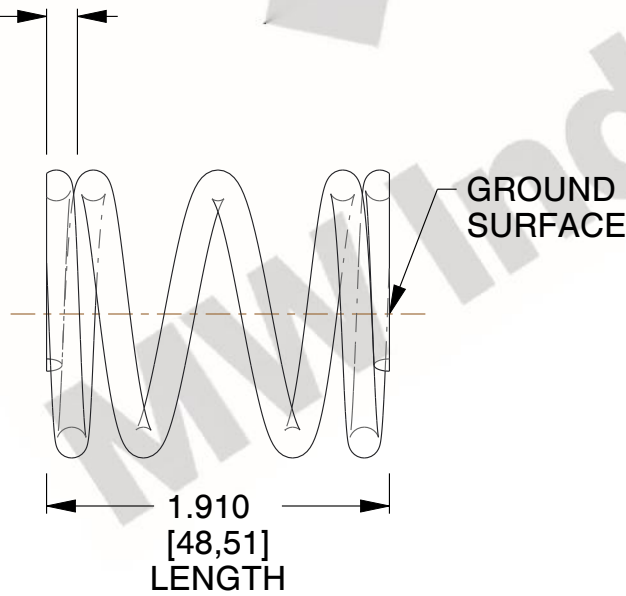


NOTES:

1. Material : Stainless Steel
2. Finish : Glod Irridite
3. Ends : Closed and Ground
4. Total Coils : 4.630
5. Sugg. Max. Deflection : 0.210 (in)
6. Sugg. Max. Load : 7.800 (lbs)
7. All Drawing Dimensions are in Inches [mm]

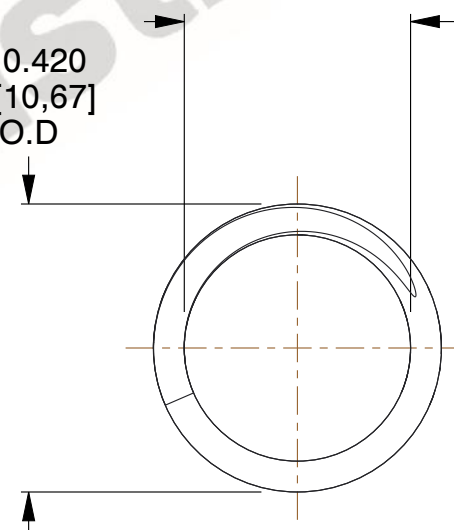


∅ 0.045
[1,14]
WIRE DIA



∅ 0.420
[10,67]
O.D

∅ 0.330
[8,38]
I.D



| COMPONENT | | SPRINGS | |
|---------------------|--|-----------|--|
| 71351S | | UNIT | |
| | | INCH [mm] | |
| | | SHEET | |
| COMPRESSION SPRINGS | | 1 of 1 | |