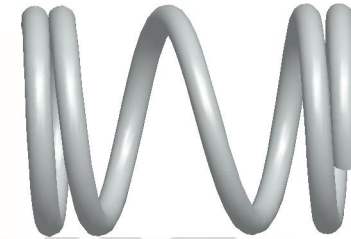
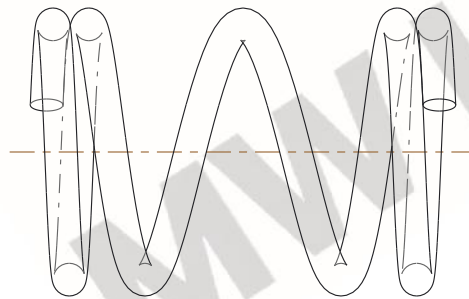


**NOTES:**

1. Material : Stainless Steel
2. Finish : Glod Irridite
3. Ends : Closed
4. Total Coils : 4.380
5. Sugg. Max. Deflection : 0.040 (in)
6. Sugg. Max. Load : 0.470 (lbs)
7. All Drawing Dimensions are in Inches [mm]



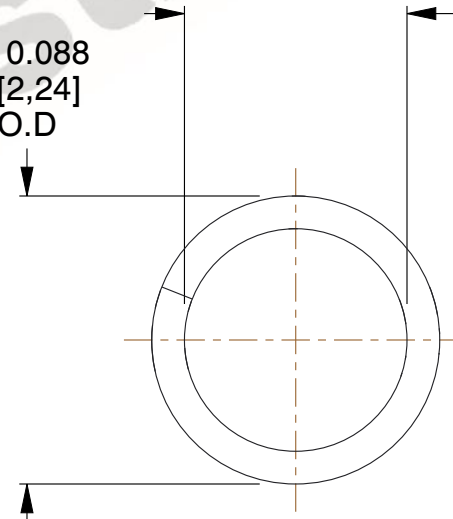
∅ 0.010  
[0,25]  
WIRE DIA



1.910  
[48,51]  
LENGTH

∅ 0.088  
[2,24]  
O.D

∅ 0.068  
[1,73]  
I.D



COMPONENT		SPRINGS	
<b>70036S</b>  COMPRESSION SPRINGS		UNIT	INCH [mm]
		SHEET	1 of 1