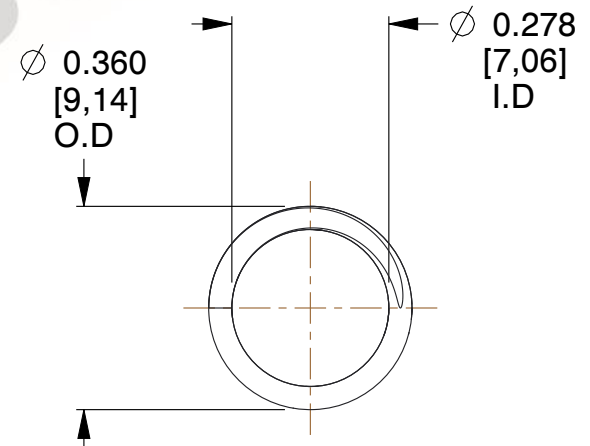
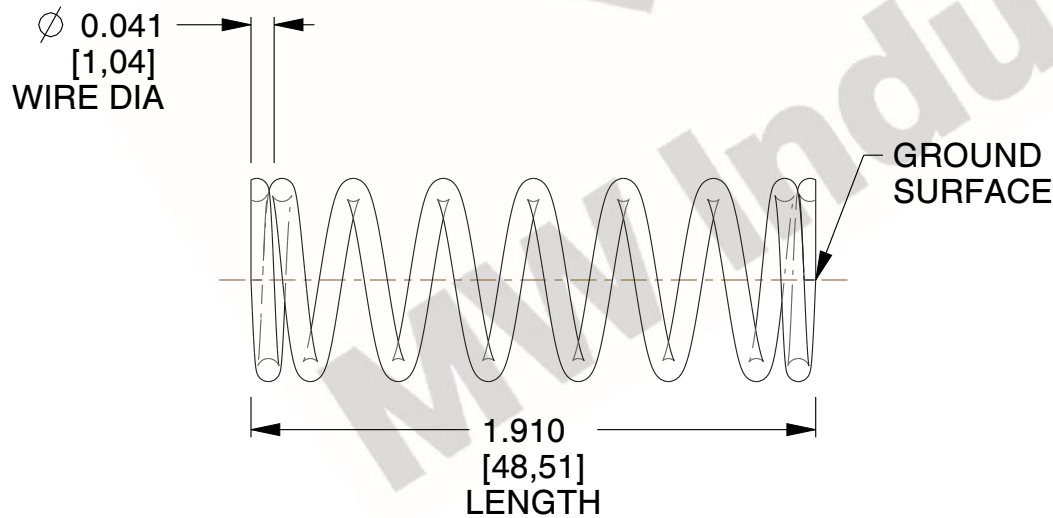


NOTES:

1. Material : Spring Steel
2. Finish : Glod Irridite
3. Ends : Closed and Ground
4. Total Coils : 8.500
5. Sugg. Max. Deflection : 0.380 (in)
6. Sugg. Max. Load : 7.300 (lbs)
7. All Drawing Dimensions are in Inches [mm]



COMPONENT		SPRINGS	
B12-30		UNIT	
		INCH [mm]	
		SHEET	
COMPRESSION SPRINGS		1 of 1	