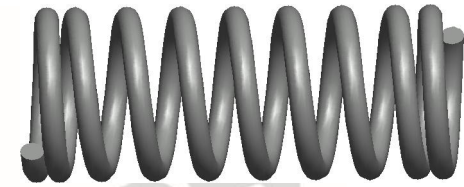
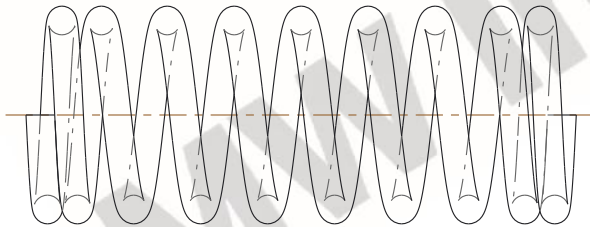


NOTES:

1. Material : Hard Drawn
2. Finish : Zinc - Z
3. Ends : Closed
4. Total Coils : 9.500
5. Sugg. Max. Deflection : 0.470 (in)
6. Sugg. Max. Load : 23.000 (lbs)
7. All Drawing Dimensions are in Inches [mm]

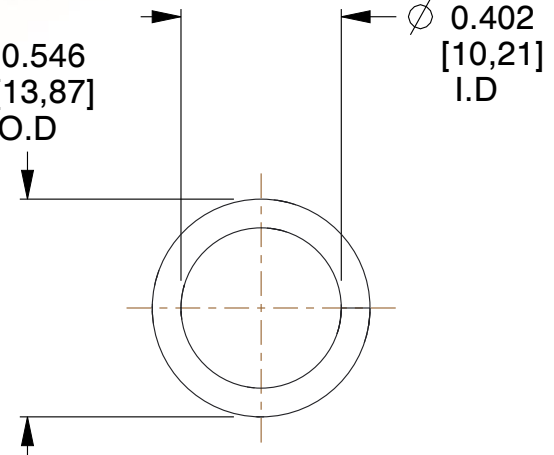


\varnothing 0.072
 [1,83]
 WIRE DIA



1.910
 [48,51]
 LENGTH

\varnothing 0.546
 [13,87]
 O.D



\varnothing 0.402
 [10,21]
 I.D

COMPONENT		SPRINGS	
QQ-45 COMPRESSION SPRINGS		UNIT	INCH [mm]
		SHEET	1 of 1