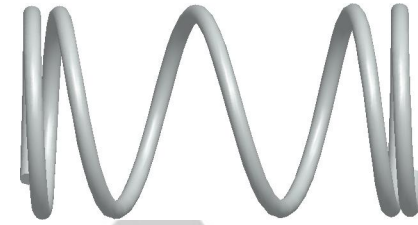
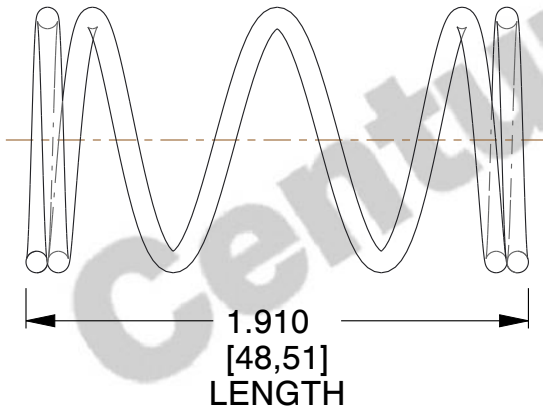


NOTES:

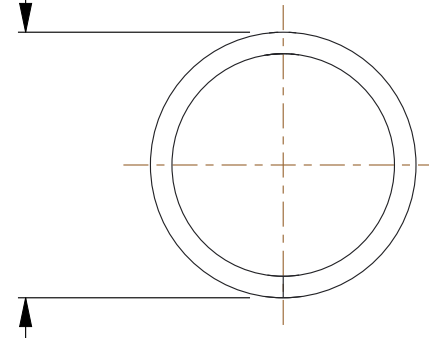
1. Material : Stainless Steel
2. Finish : Glod Irridite
3. Ends : Closed
4. Total Coils : 5.000
5. Sugg. Max. Deflection : 0.270 (in)
6. Sugg. Max. Load : 1.900 (lbs)
7. All Drawing Dimensions are in Inches [mm]



ϕ 0.024
 [0,61]
 WIRE DIA



ϕ 0.296
 [7,52]
 O.D



COMPONENT		SPRINGS	
S-1420		UNIT	
		INCH [mm]	
		SHEET	
COMPRESSION SPRINGS		1 of 1	